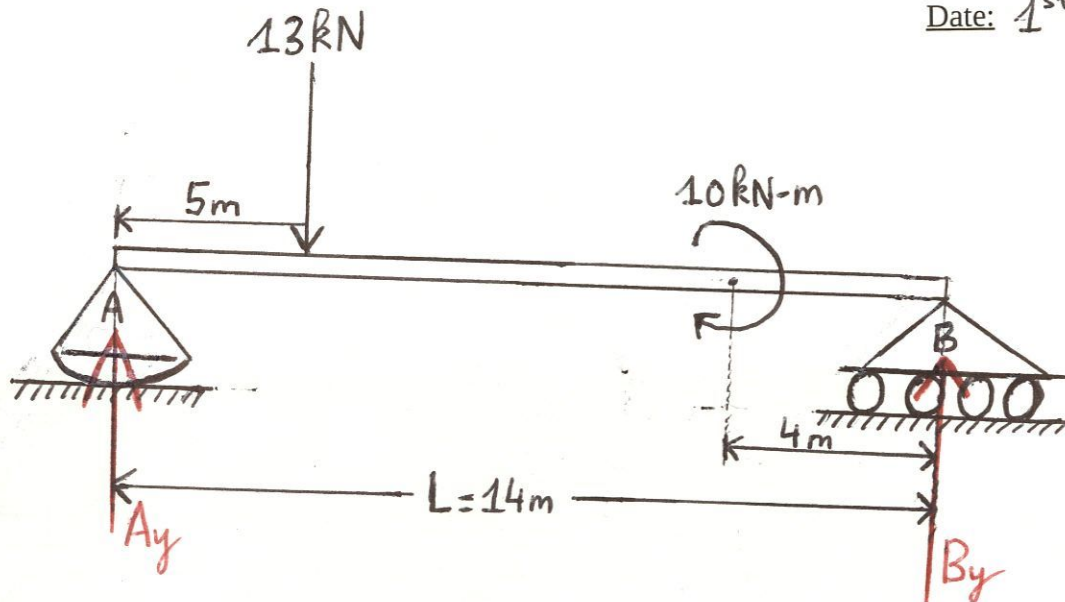


Date: 1<sup>st</sup> February 2019



$$+\circlearrowleft \sum M_A = 0 ; (-13\text{kN})(5\text{m}) + (B_y)(14\text{m}) - (10\text{kN}\cdot\text{m}) = 0$$
$$B_y = 5.36\text{kN}$$

$$+\uparrow \sum F_y = 0 ; A_y + B_y = 13\text{kN}$$

$$A_y = (13\text{kN}) - (B_y) = (13\text{kN}) - (5.36\text{kN}) = 7.64\text{kN}$$